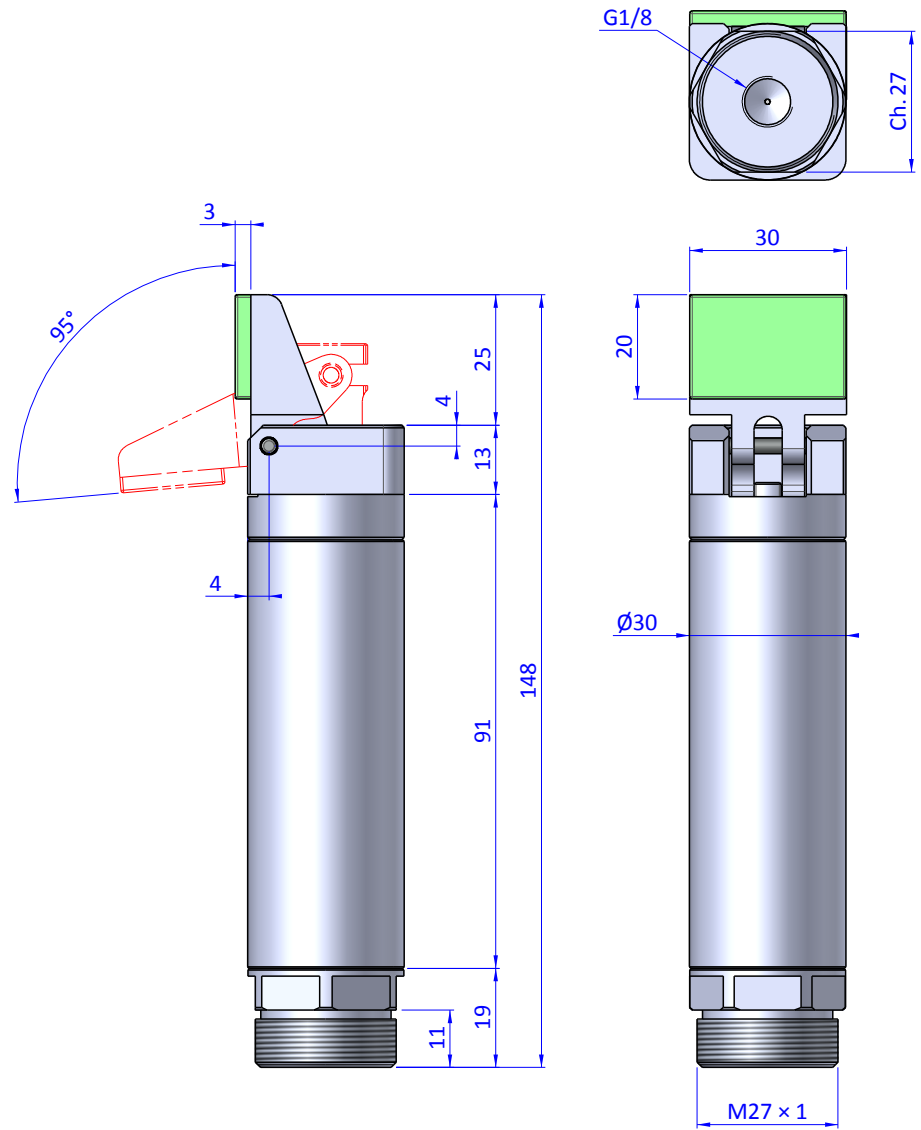
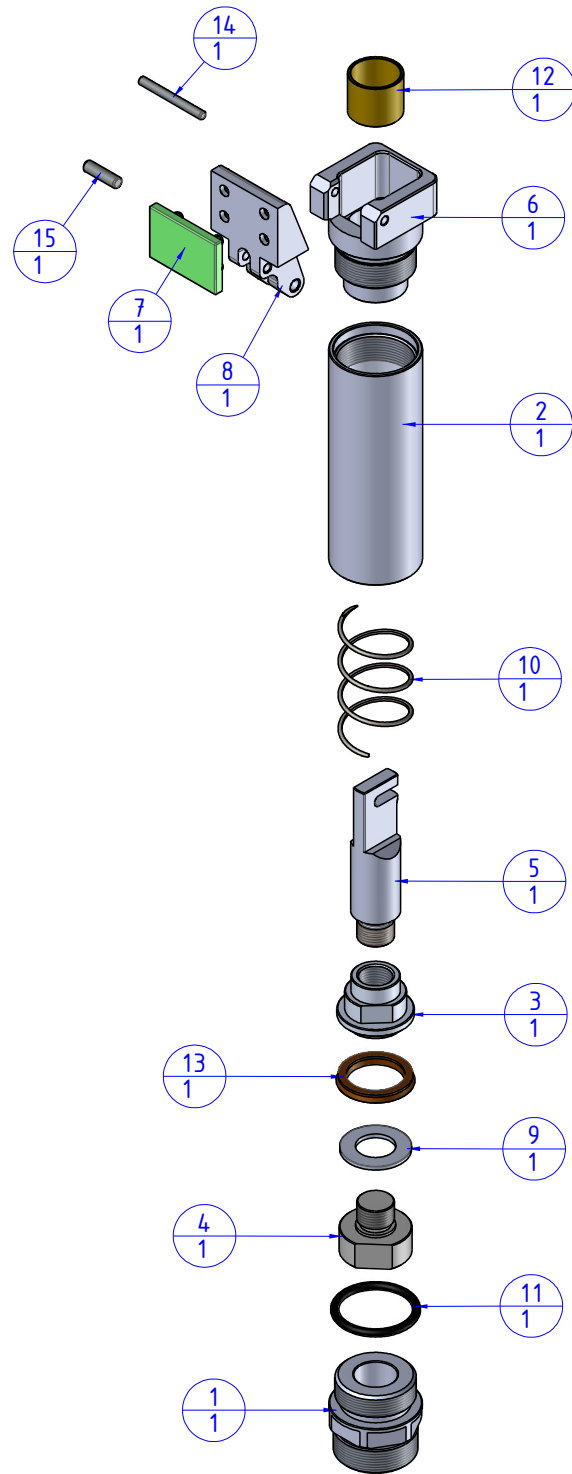



THE PROPERTY OF THE DRAWING IS ESTABLISHED BY LAW. IT IS FORBIDDEN TO PRODUCE OR SHOW IT TO THIRD PARTY WITHOUT A WRITTEN AGREEMENT.

Item	Name	Qty.
1	GRF30.95.01	1
2	GRF30.95.02	1
3	GRF30.95.03	1
4	GRF30.95.03.2	1
5	GRF30.95.04	1
6	GRF30.95.05	1
7	GRF30.95.08.V	1
8	GRF30.95.09	1
9	GRF30.95.10	1
10	M.24X66	1
11	OR.119	1
12	PAP.161815	1
13	PSP.251935	1
14	SP.3X28M6	1
15	SP.4X14M6	1



Format A3

UNI 936-76

 FPS FPSERVICES AUTOMATION		DESIGNED FROM		REVIEW
		FPS Automation		A
GENERAL TOLERANCE		DATE	WEIGHT	
UNI - ISO 2768		31/07/2019	0.238kg	
CLASSE F		CODE		
		CA.GRF.3095.GW		CA.GRF.3095.GW